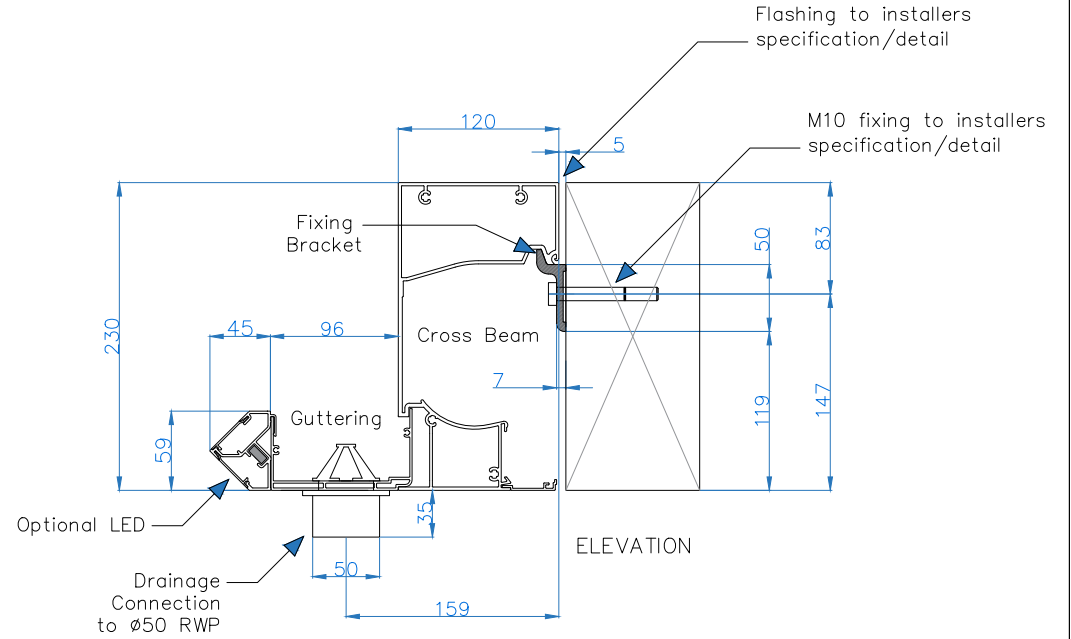
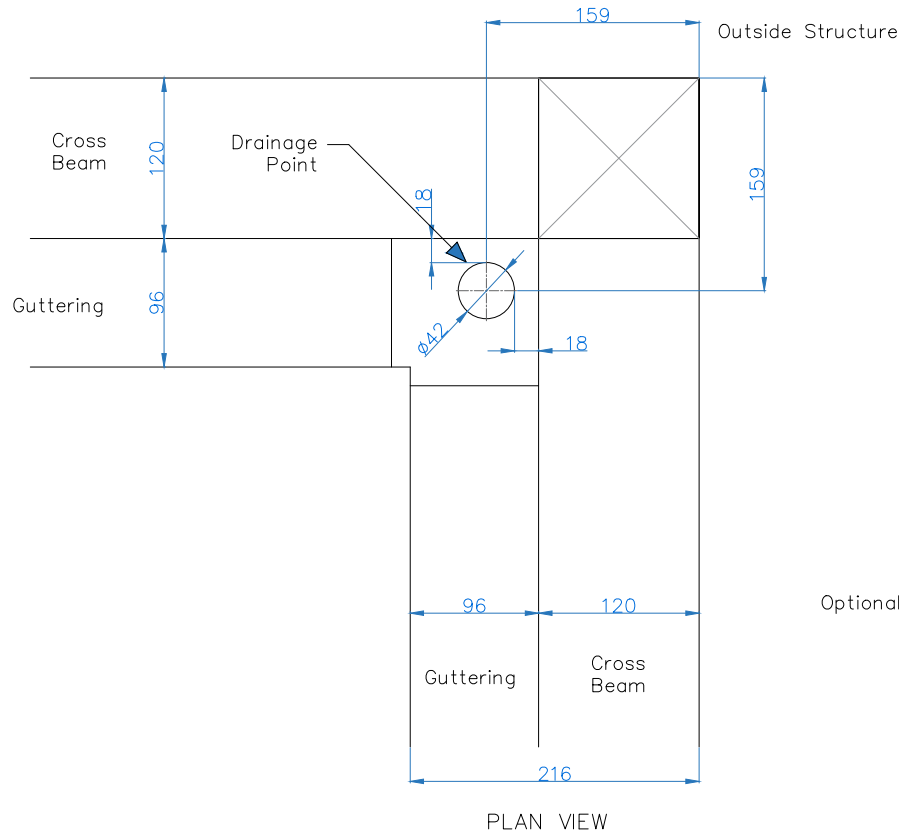


One drainage point required per 15m² roof surface area



All dimensions are shown in millimetres unless otherwise stated



Tel: 0344 800 1947
 info@cbsolarshading.co.uk www.cbsolarshading.co.uk
 HEAD OFFICE, FACTORY & SHOWSITE
 Woodhall Business Park, Sudbury, Suffolk, CO10 1WH

It is Caribbean Blinds UK Ltd policy to continuously develop and improve our products. We therefore reserve the right to modify or change the detail/design at our discretion and without prior notice. This drawing is the copyright and sole property of Caribbean Blinds UK Ltd. The design/information is private and confidential. It must not be copied, exhibited or communicated to third parties for any purpose other than that for which it was issued without the written consent of Caribbean Blinds UK Ltd.

Drawing Name: Deluxe Pod Roof Only Mounting & Guttering Drainage Detail		
Drawing Number: CB/OLP/DEL/ROMGDD		
Date: 19/04/2022	Scale: NTS	Drawn By: CB