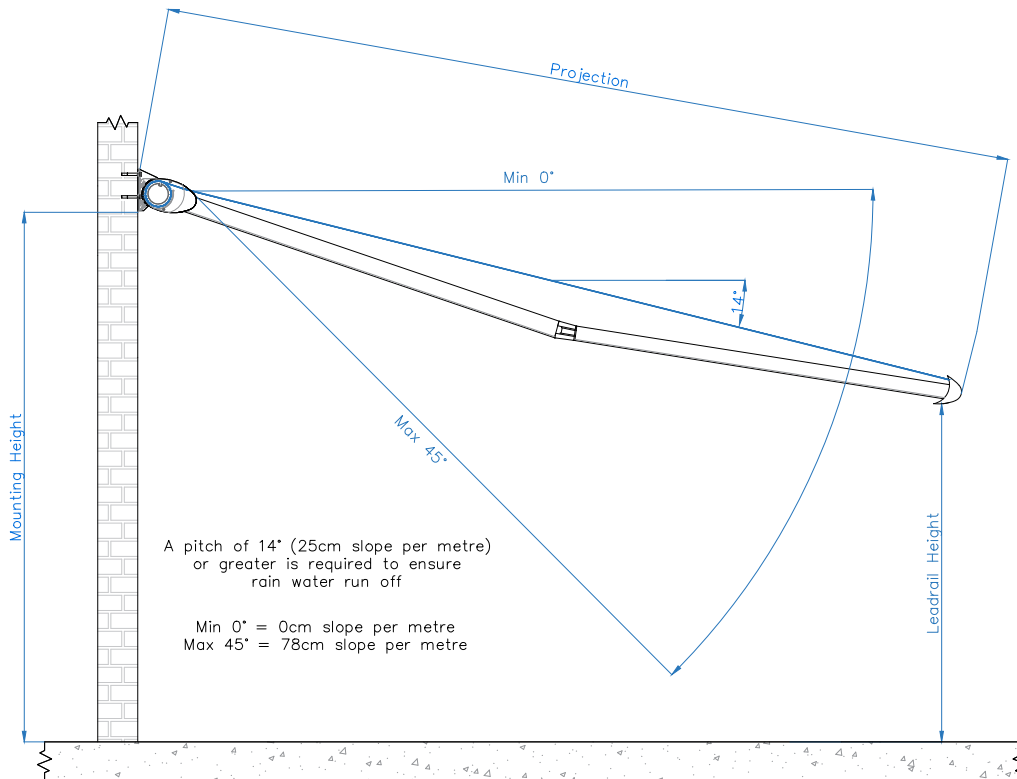
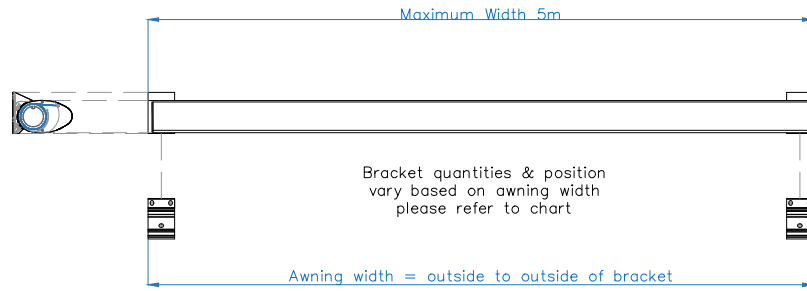
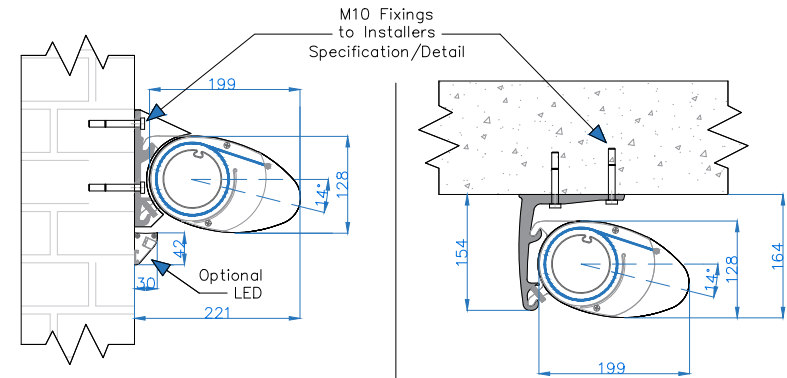


Awning weighs c.12kg per metre width

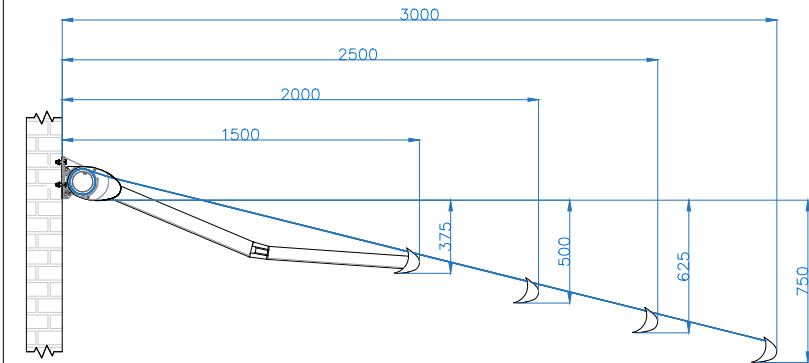


Face fix

Top fix



Drop at optimum 14° pitch



Motor: 1.1 amps
(Integrated in awning)

LED Lights: <0.1 amps

Awning is fitted with a 240v motor with a 3 core (live, neutral, earth) cable (5m length) exiting either the rear right or rear left of the cassette that needs connecting to a standard switched fuse spur/socket, fitted with a 5amp fuse

All dimensions are shown in millimetres unless otherwise stated



Tel: 0344 800 1947

info@cbsolarshading.co.uk

www.cbsolarshading.co.uk

HEAD OFFICE, FACTORY & SHOWSITE
Woodhall Business Park, Sudbury, Suffolk, C010 1WH

It is Caribbean Blinds UK Ltd policy to continuously develop and improve our products. We therefore reserve the right to modify or change the detail/design at our discretion and without prior notice. This drawing is the copyright and sole property of Caribbean Blinds UK Ltd. The design/information is private and confidential. It must not be copied, exhibited or communicated to third parties for any purpose other than that for which it was issued without the written consent of Caribbean Blinds UK Ltd.

Drawing Name: Tortola Arrangement & Mounting

Drawing Number: CB/FAA/TOR/AM

Rev:

Date: 19/04/2022

Scale: NTS

Drawn By: CB