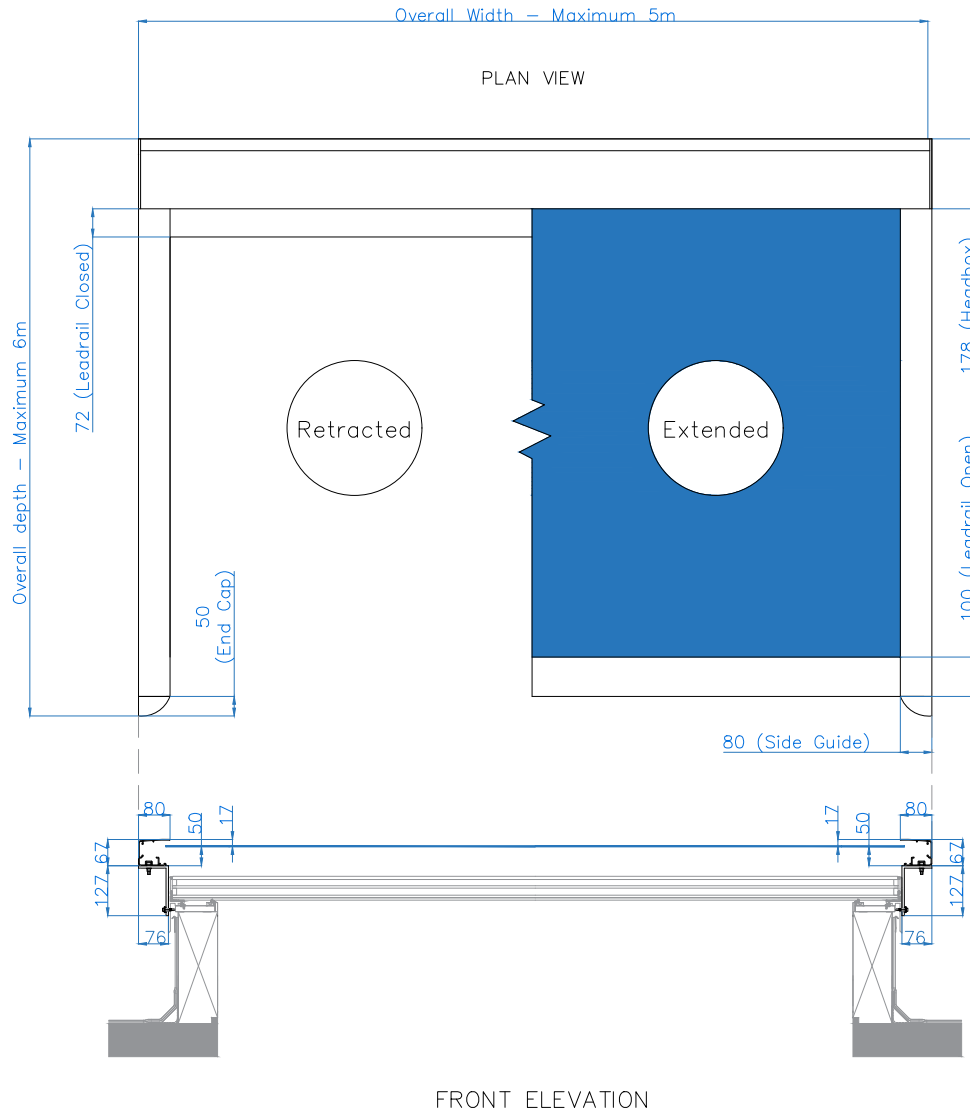
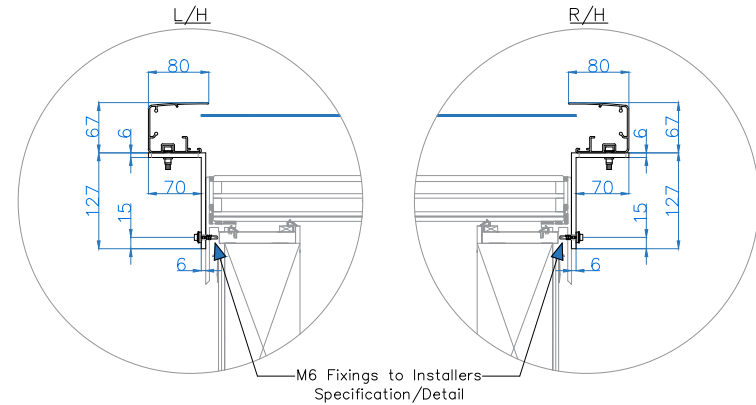


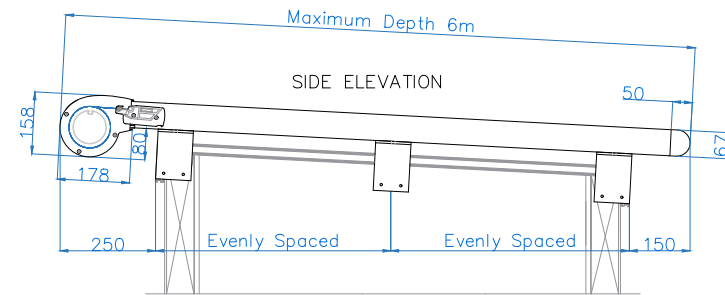
Maximum 18m surface area
Blind weighs c.15kg per metre width



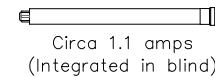
Mounting Detail



Bracket Positioning



| Brackets | upto 2.00m deep | 2.01m - 3.00m deep | 3.01m - 4.00m deep | 4.01m - 5.00m deep | 5.01m - 6.00m deep |
|----------|-----------------|--------------------|--------------------|--------------------|--------------------|
| | 2 per side | 3 per side | 4 per side | 5 per side | 6 per side |



Blind is fitted with a 240v motor with a 3 core (live, neutral, earth) cable (5m length) exiting either the rear right or rear left of the headbox that needs connecting to a standard switched fuse spur/socket, fitted with a 5amp fuse.

All dimensions are shown in millimetres unless otherwise stated



Tel: 0344 800 1947
info@cbsolarshading.co.uk www.cbsolarshading.co.uk
HEAD OFFICE, FACTORY & SHOWSITE
Woodhall Business Park, Sudbury, Suffolk, C010 1WH

It is Caribbean Blinds UK Ltd policy to continuously develop and improve our products. We therefore reserve the right to modify or change the detail/design at our discretion and without prior notice. This drawing is the copyright and sole property of Caribbean Blinds UK Ltd. The design/information is private and confidential. It must not be copied, exhibited or communicated to third parties for any purpose other than that for which it was issued without the written consent of Caribbean Blinds UK Ltd.

| | | |
|--|------------|--------------|
| Drawing Name: Cayman Arrangement & Mounting - Skylight | | |
| Drawing Number: CB/TRB/CAY/AM-S | Rev: A | |
| Date: 01/09/2023 | Scale: NTS | Drawn By: CB |